

## Radio Receiver/Cassette Player (Up To '96 MY) – Remove And Install (38 222 0)

### Proprietary Tools

Radio removal tool
--------------------

### Remove

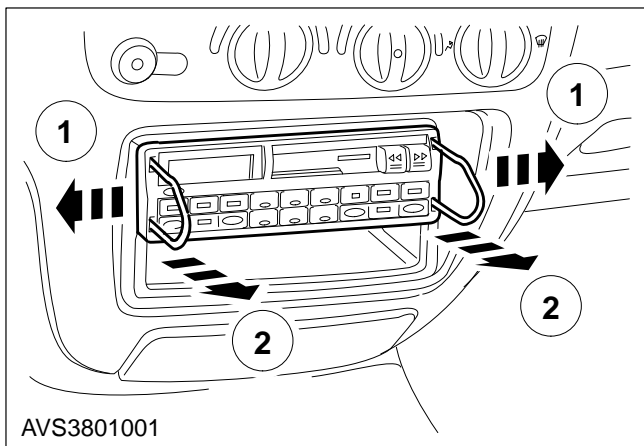
**⚠ CAUTION:** Disconnect the battery negative lead.

**NOTE:** Ensure the radio key code is available before disconnecting the battery or radio receiver/cassette player multiplugs and note the radio station presets.

#### 1. Remove the radio receiver/cassette player.

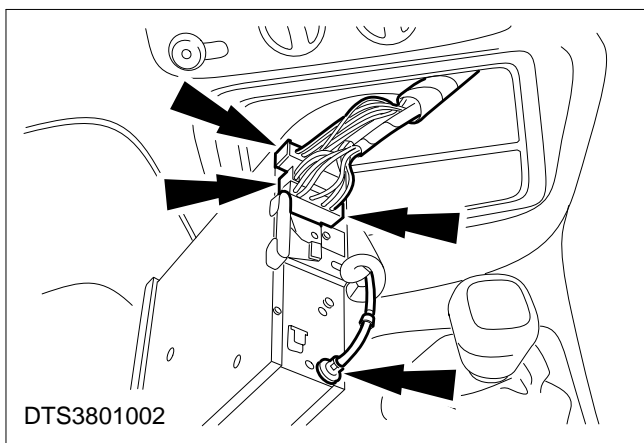
Insert the radio removal tools into the locating holes until they click into place

- 1 Pull the tools gently to the left and right of the unit to release the locking tangs.
- 2 Pull the unit gently out of the crash padding/facia.



**⚠ CAUTION:** When disconnecting the multiplugs do not pull on the wiring; pull on the multiplug body.

#### 2. Disconnect the multiplugs and antenna lead and remove the unit.



### Install

**NOTE:** When refitting the radio receiver/cassette player ensure the rear support engages on the carrier.

#### 3. Refit the components in reverse order.

Input the radio keycode (refer to VSTM Section 38 Audio Systems) and re-enter the radio stations presets.

