

## Stalk – Front Seat (Pyrotechnic) – Remove And Install (40 232 0)

### Remove

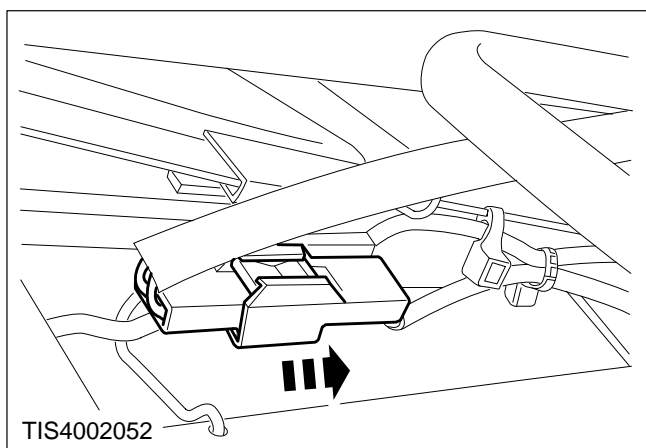
Low series seats

1. Remove the front seat (refer to Operation Number 40 100 0).

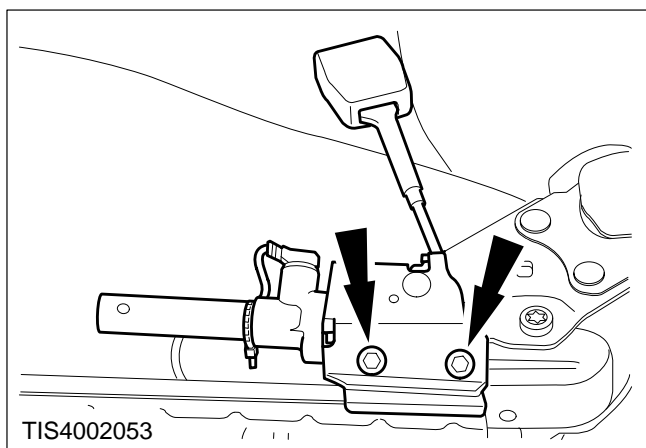
High series seats

2. Remove the slide assembly (refer to Operation Number 40 420 0).

3. Disconnect the pretensioner multiplug.



4. Remove the seat belt stalk (two Torx bolts).



### Install

5. Refit the components in reverse order.

