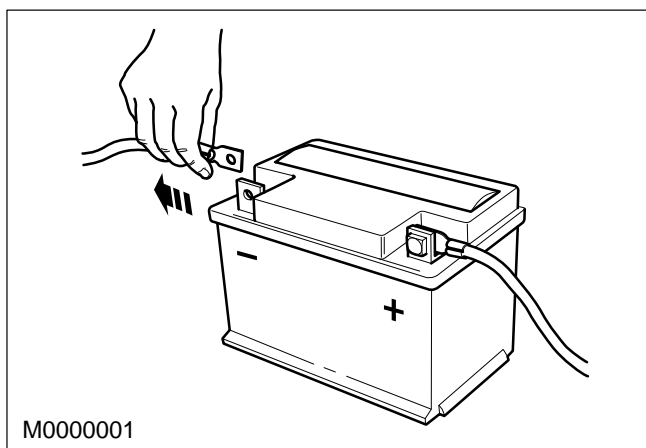
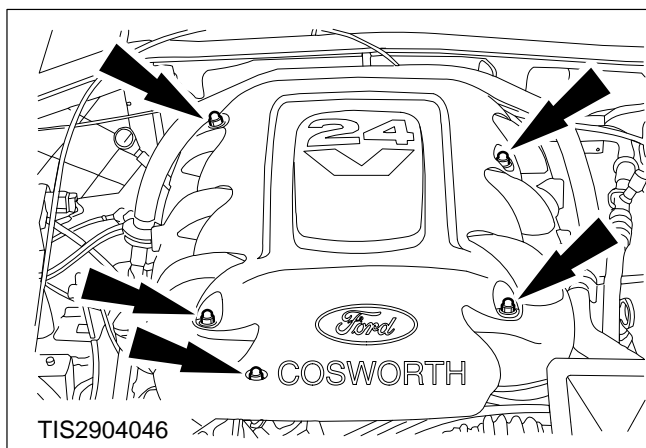


## Sensor – Camshaft Position – Remove and Install (29 232 0)

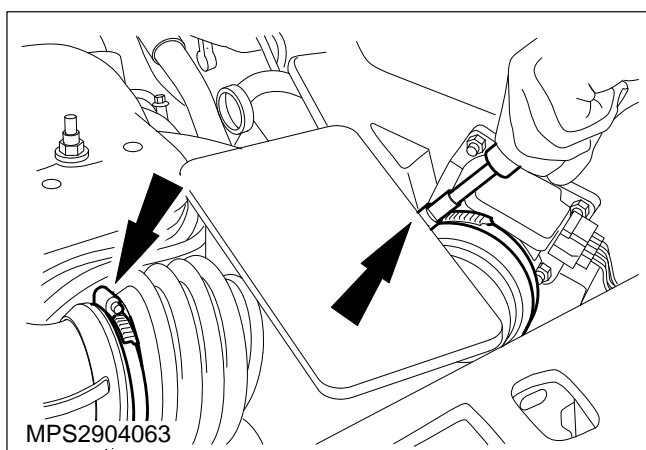


Remove

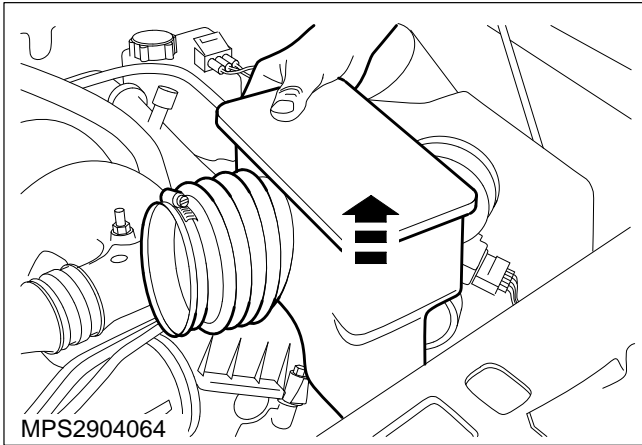
1. Disconnect the battery earth lead.



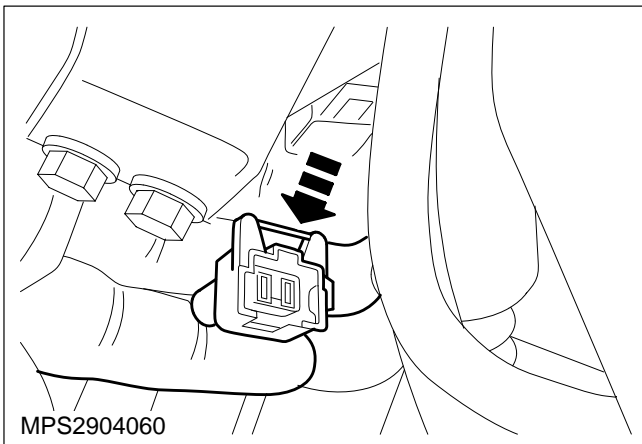
2. Remove the engine cover.



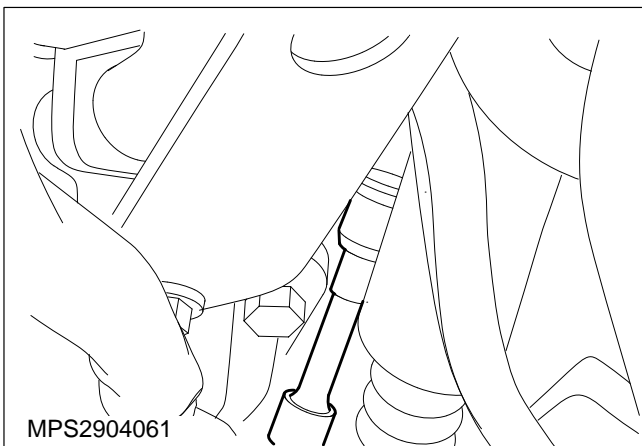
3. Slacken the intake system resonator hose clips.



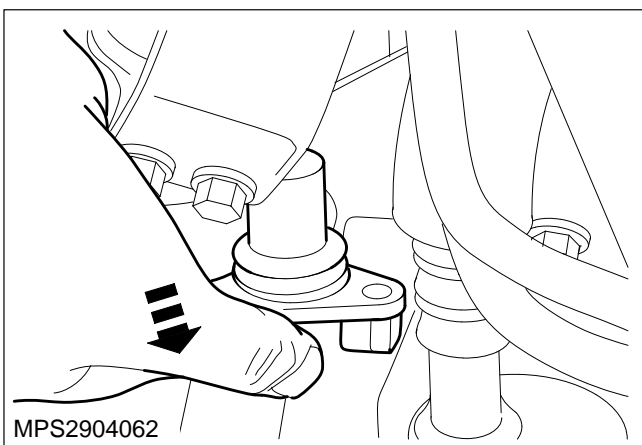
**4. Lift the resonator out of the vehicle.**



**5. Disconnect the multiplug.**



**6. Remove the fixing bolt.**



**7. Remove the sensor from the cylinder head.**

Install

**8. Refit the components in reverse order.**