

## Motor – Windscreen Wiper – Remove and Install (32 524 0)

### Remove

#### 1. Standard preparatory measures.

- Make a note of the radio keycode.
- Make a note of the preset radio stations.

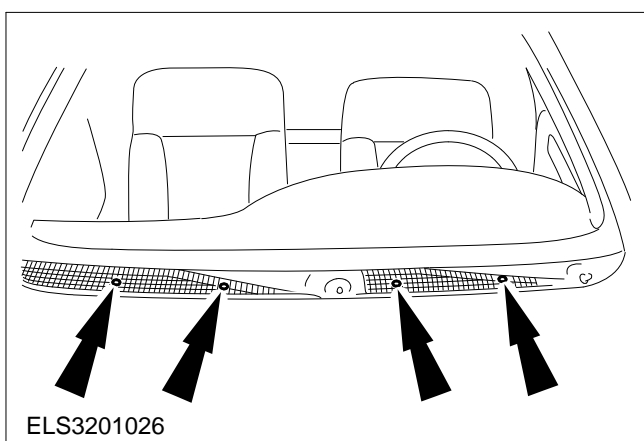
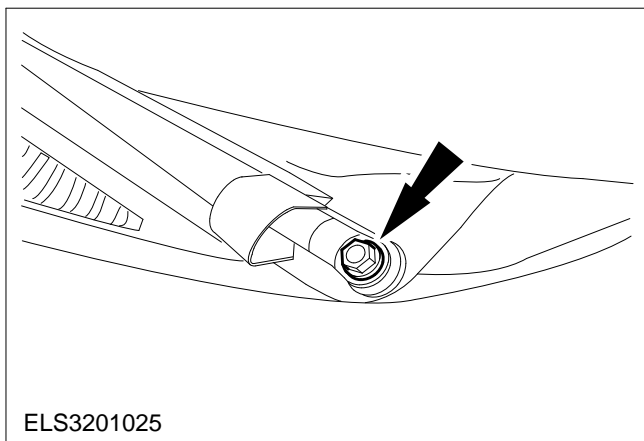
**NOTE:** The wiper motor must be in the parked position.

- Lay protective covers on the fenders.

**CAUTION:** Disconnect the battery negative lead.

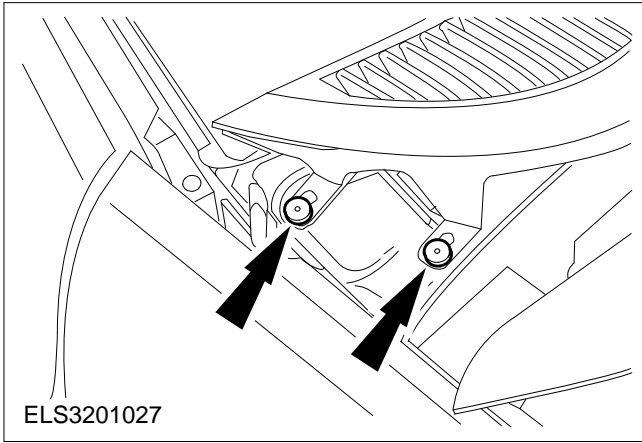
#### 2. Detach the wiper arms (left-hand side shown).

- Unscrew the nuts and remove the waved washers.
- Raise the wiper arms and release them from the taper with sideways movements.

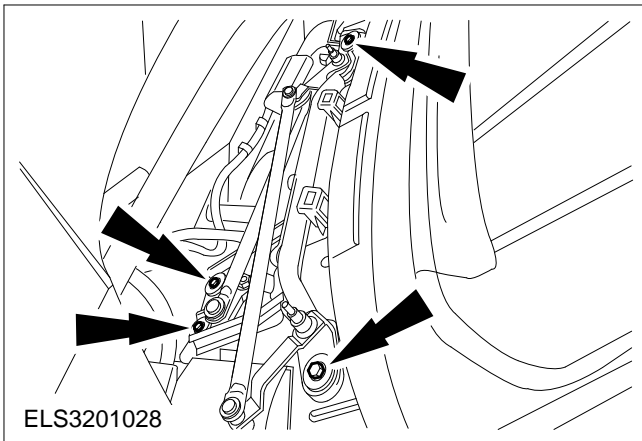


#### 3. Detach the cowl grille.

- Remove the caps and undo the four screws.
- Open the hood.

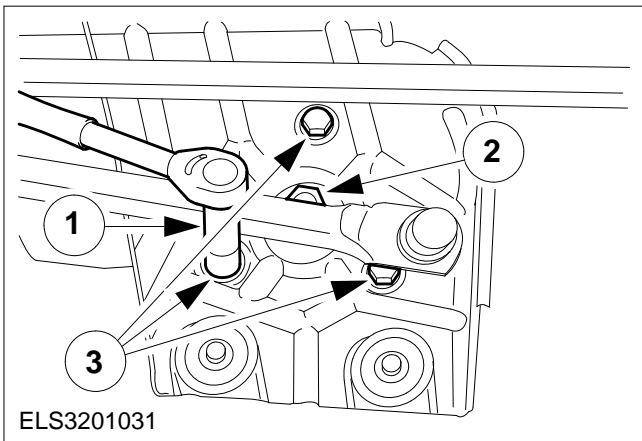


**4. Detach the cowl grille (continued).**



**5. Detach the wiper motor complete with the linkage.**

Disconnect the multiplug.



**6. Detach the wiper motor from the mounting plate and the lever.**

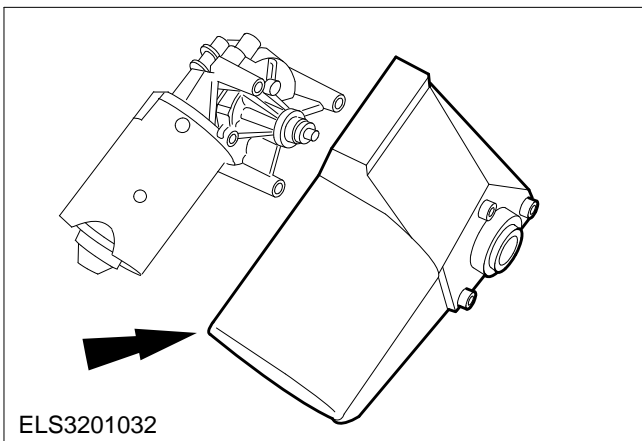
1 Immobilise the lever.

**⚠ CAUTION:** Do not jerk the nut.

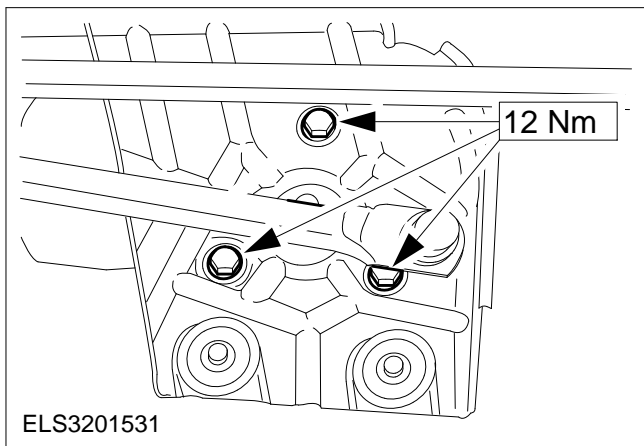
2 Unscrew the nut from the lever.

Pull the lever off the taper on the motor shaft with sideways movements.

3 Detach the wiper motor from the mounting plate.

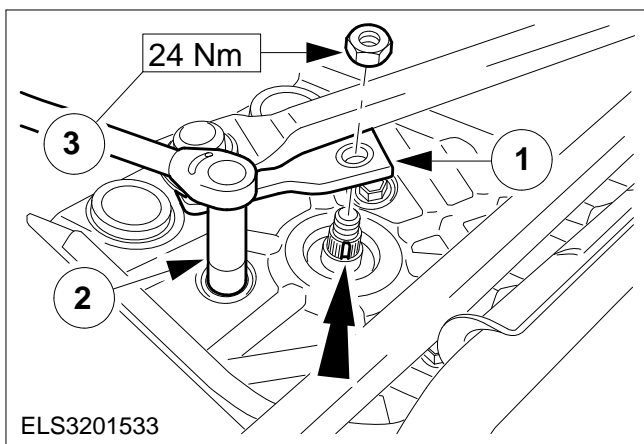


**7. Pull the cover off the windscreen wiper motor.**



## Install

8. Fit the cover of the windscreen wiper motor.
9. Attach the wiper motor to the mounting plate.



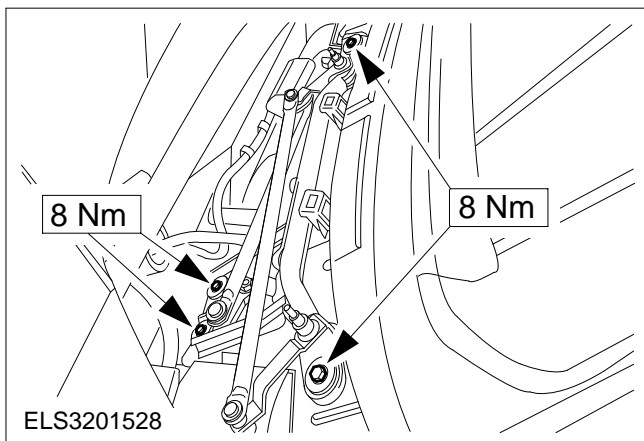
## 10. Connect the wiper motor to the lever.

- 1 Place the lever in the groove in the motor shaft.

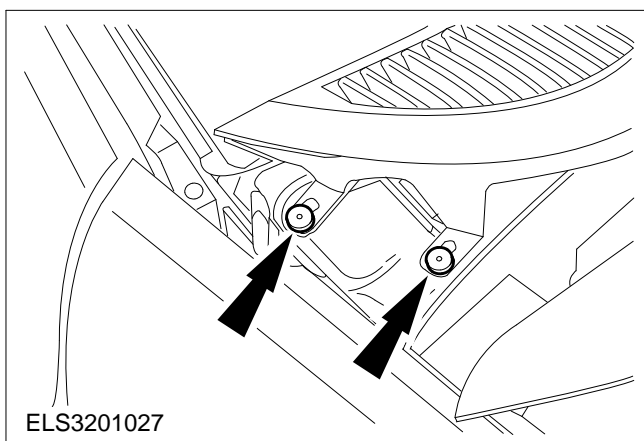
Put the nut on finger tight.

- 2 Immobilise the lever.
- 3 Tighten the nut.

## 11. Connect the multiplug to the wiper motor.

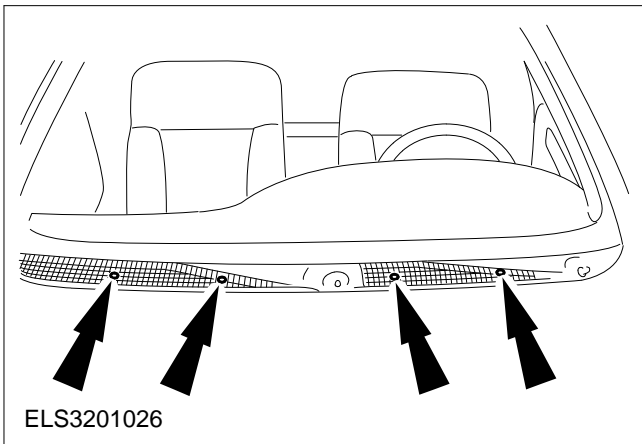


## 12. Fit the wiper motor complete with the linkage.

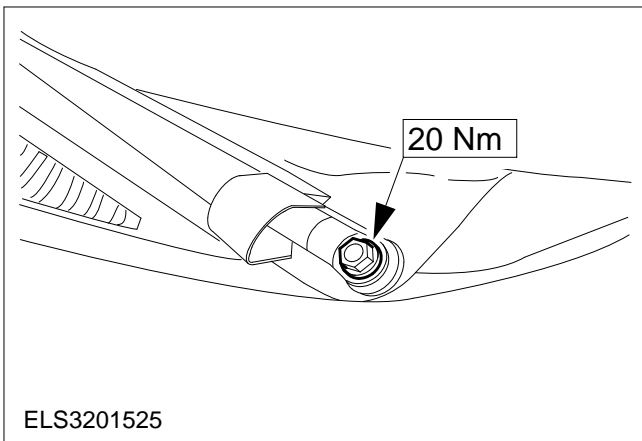


## 13. Fit the cowl grille.

- Fit the two clips on each side.
- Close the hood.



#### 14. Fit the cowl grille (continued).



#### 15. Attach the wiper arms (left-hand side shown).

- Put the waved washer in place.
- Fit the wiper arms and tighten the nuts fingertight.
- Make sure that the wiper arms do not touch the grille or the trim strip.
- Tighten the nuts of the wiper arms.

#### 16. Standard finishing operations.

- Connect the battery negative lead.
- Take off the protective covers.
- Enter the radio keycode.
- Reprogramme the preset radio stations.
- Reset the clock.
- Road test the vehicle to collect data for the PCM.