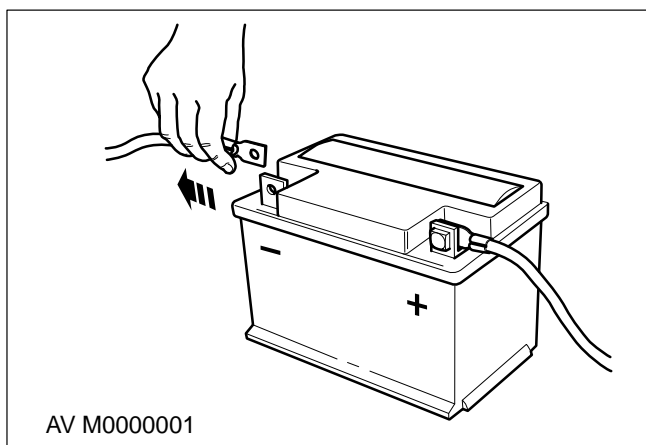
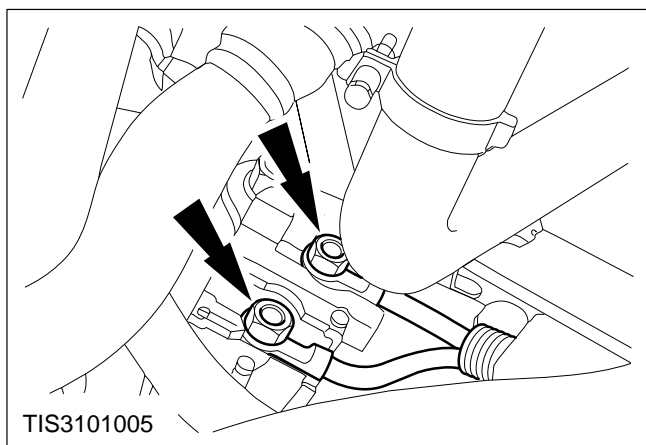
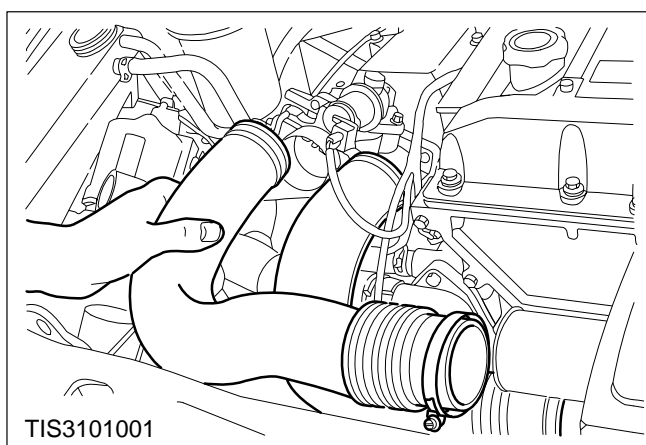


Alternator Assembly (DOHC 16V) Remove and Install (31 414 0)**Remove**

- 1. Disconnect the battery negative lead.**
- 2. Raise the vehicle.**
- 3. Remove the alternator drive belt (refer to Operation 31 413 0).**

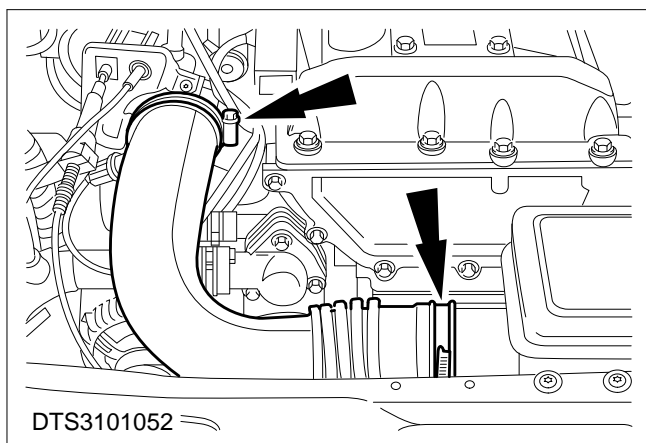


- 4. Disconnect the alternator wiring (two nuts).**
- 5. Lower the vehicle.**



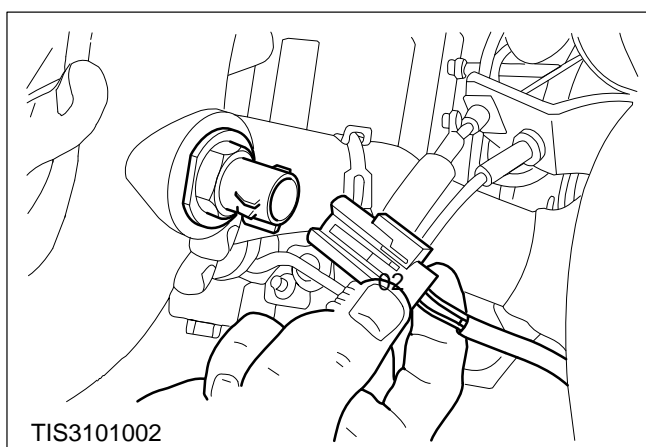
- 6. Remove the air intake pipes.**

Slacken the four pipe clips and pull the pipes off the intake flanges.



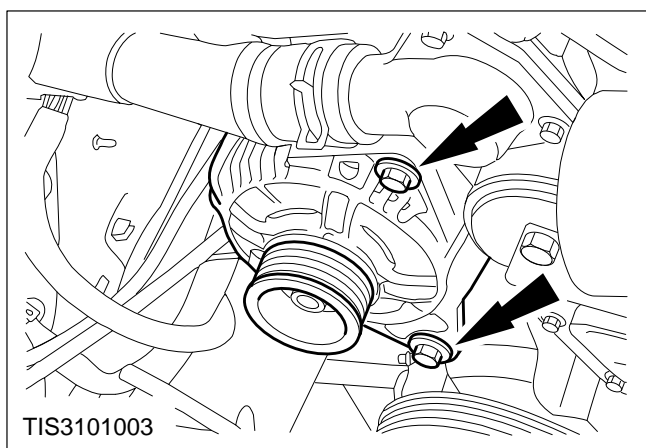
Vehicles fitted with 2,3 DOHC 16V

7. Remove the air intake pipe.



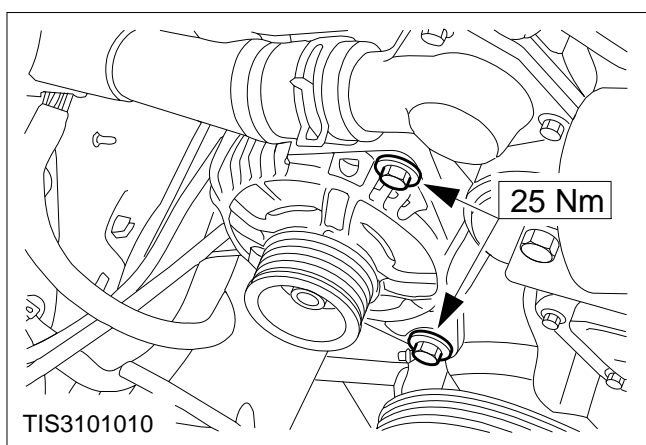
All vehicles

8. Disconnect the air sensor multiplug.



9. Remove the two alternator retaining bolts.

- One bolt.
- One nut and bolt.



Install

10. Align the alternator in the mounting bracket and refit the two retaining bolts.

11. Refit the remaining components in reverse order.

