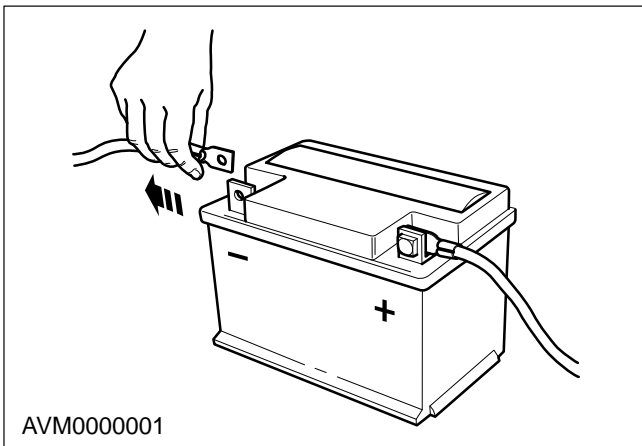
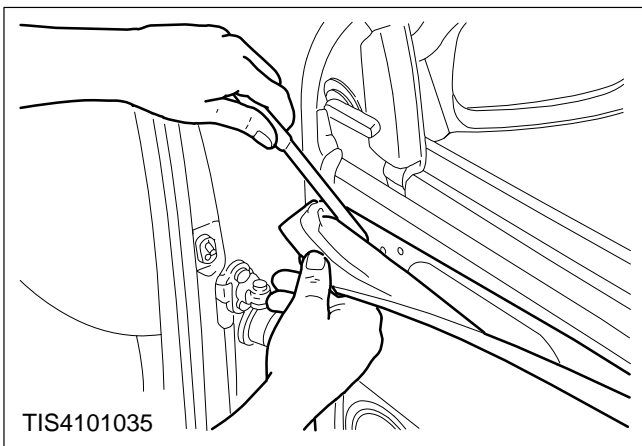


Handle – Door Remote Control – Remove and Install (41 334 0)



Remove

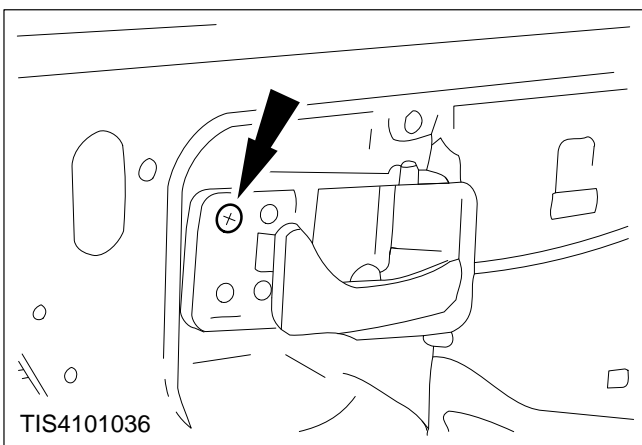
1. **Disconnect the battery negative lead.**
2. **Remove the door trim panel (refer to Operation Number 43 705 0).**



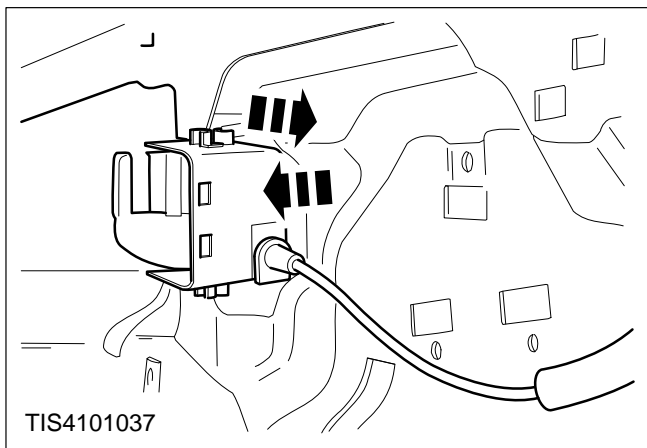
⚠ CAUTION: Do not touch adhesive surfaces as re-bonding will be impaired.

3. **Locally peel back the door insulation material.**

Using a plastic knife, (disposable cutlery) cut through the Butyl strip to enable the foam insulator to be peeled back for access. **DO NOT** attempt to peel the insulation from the door without cutting the butyl.

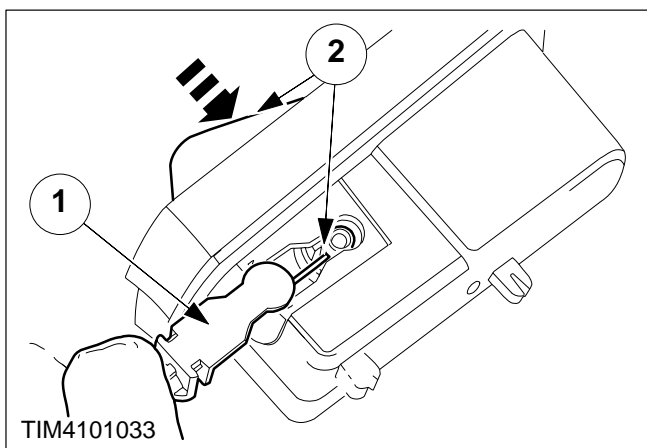


4. **Remove the remote control handle retaining screw.**



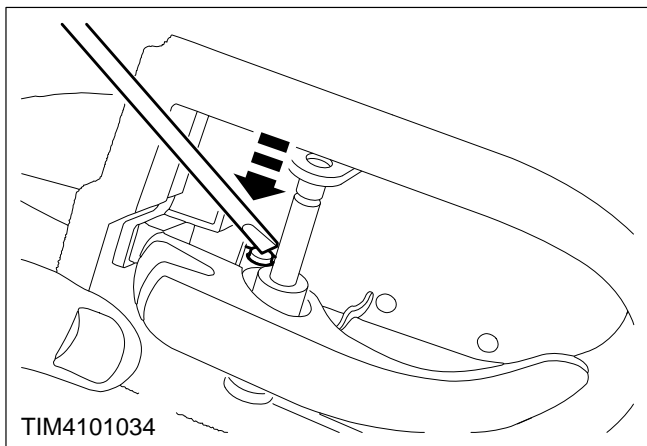
5. Detach the handle from the door.

Slide back off the locators, then ease out from the door panel.



6. Disconnect the door lock actuating cable.

- 1 Displace the plastic outer cable end and blanking piece from the handle housing.
- 2 Apply light inward pressure to the control lever to align the inner cable with the release slot and push out.



Install

7. Refit the components in reverse order.